

Surgical Technique



Acumed® is a global leader of innovative orthopaedic and medical solutions.



We are dedicated to developing products, service methods, and approaches that improve patient care.



Acumed® Arc Wrist Tower

For Wrist Arthroplasty and Fracture Reduction

Designed for the treatment of both soft tissue injuries and fractures of the wrist, the Arc Wrist Tower provides traction as well as versatile access during hand and wrist procedures.

When vertical, the Arc Wrist Tower is designed to provide traction for wrist arthroscopy; it can be rotated horizontally to provide access to the wrist during arthroscopic and fracture-reduction processes.

The adjustable wrist joint allows for flexion and extension. The support arm swivels 180 degrees about the patient's forearm and elbow, facilitating fluoroscopic imaging from any angle.

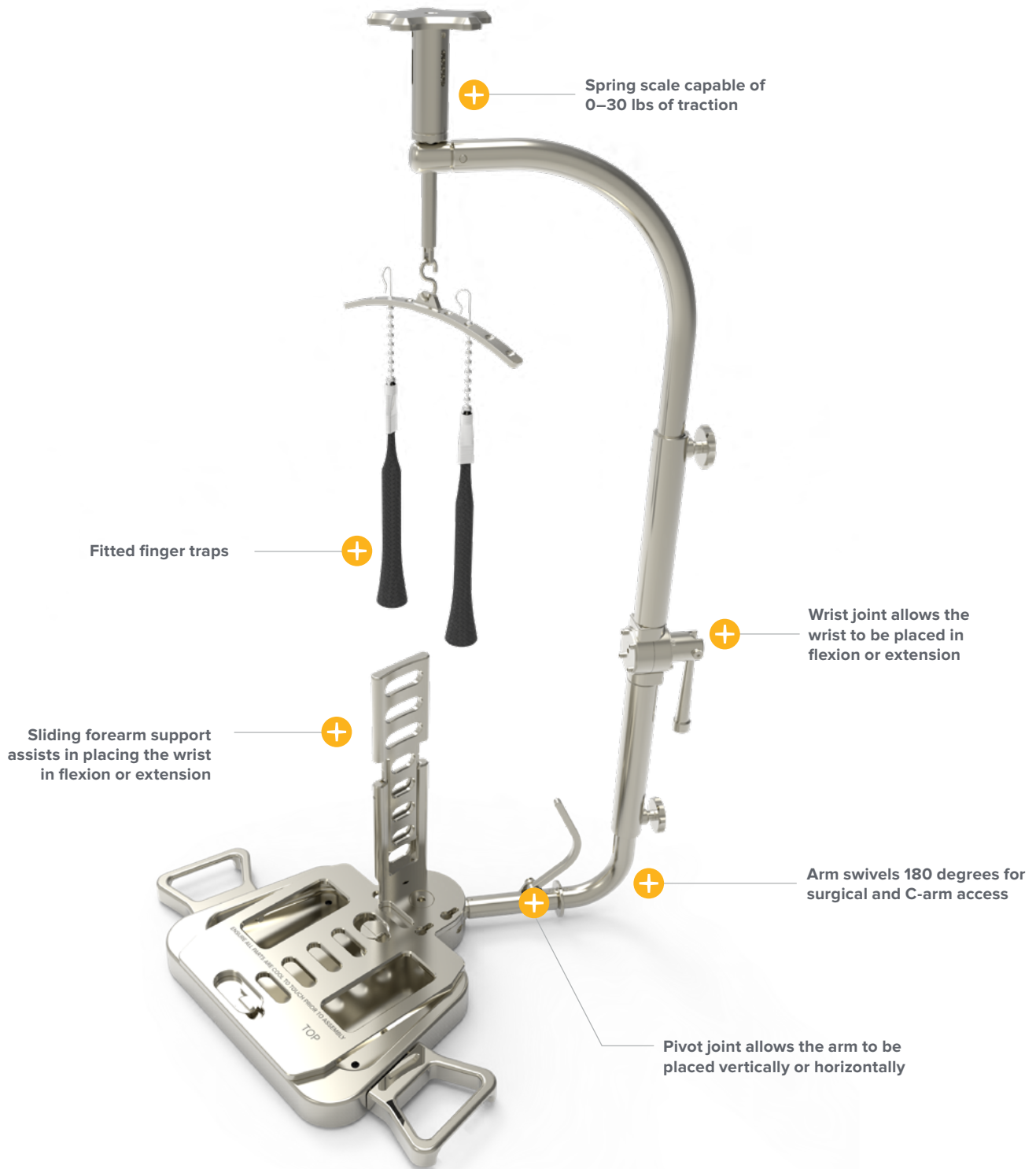
- ▶ Diagnostic Wrist Arthroscopy
- ▶ Arthroscopic Management of Wrist Injuries
- ▶ Distal Radius Fractures (intra-articular)
- ▶ Scaphoid Reduction and Fixation
- ▶ Ulnar Shortening

	Definition
Warning	Indicates critical information about a potential serious outcome to the patient or the user.
Caution	Indicates instructions that must be followed in order to ensure the proper use of the device.
Note	Indicates information requiring special attention.

Table of Contents

System Features	2
Surgical Technique	4
Arc Wrist Tower Assembly Instructions	4
Arc Wrist Tower Disassembly Instructions	9
Ordering Information	10

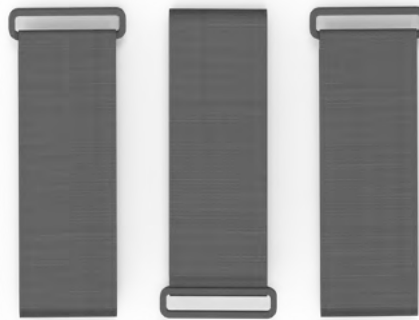
Arc Wrist Tower Features



Arc Wrist Tower Features [continued]



Fitted Finger Traps

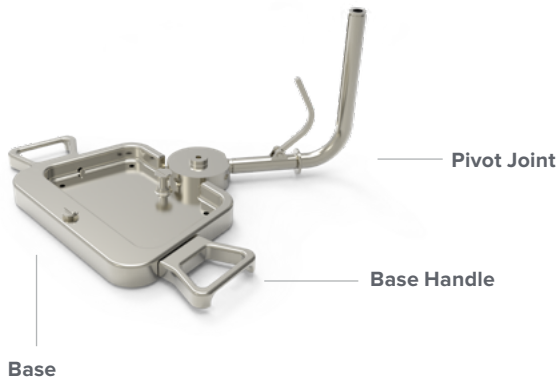


Arm Strap

Arc Wrist Tower Assembly Instructions

Make sure all parts of the Arc Wrist Tower are cool to touch prior to assembly.

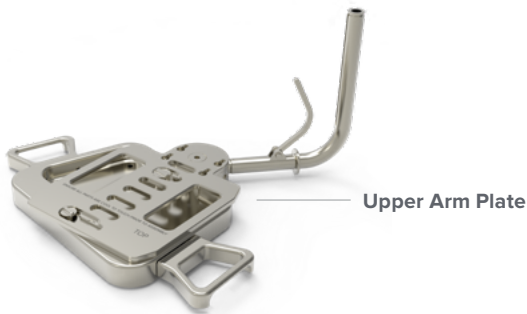
Figure 1



1 Assemble the two Base Handles onto the Base (optional). Place the Base on the hand table. Set the Pivot Joint subassembly onto the hole in the Base as shown in Figure 1.

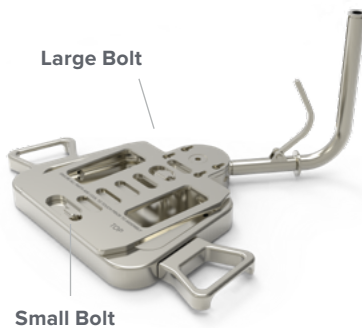
Warning: The Base Plate should be evaluated for residual heat. If it has been recently sterilized, sterile saline solution may also be used to cool the device if needed.

Figure 2



2 Place the Upper Arm Plate on the Base over the extrusion on the Pivot Joint and over the two shoulder bolts on the Base (Figure 2). Shift the Upper Arm Plate counterclockwise on the Base.

Figure 3



3 Rotate the Upper Arm Plate clockwise until the head of the smaller bolt is above the small circular depression in the Upper Arm Plate (Figure 3).

Warning: HAND TIGHTEN both bolts. Do not use mechanical instruments (e.g., pliers) to tighten bolts.

Arc Wrist Tower Assembly Instructions [continued]

Make sure all parts of the Arc Wrist Tower are cool to touch prior to assembly.

4 Place the Wrist Joint over the Pivot Joint tube (Figure 4). Align the pin on the inside of the Wrist Joint tube with the short slot on the Pivot Joint. Slide it down approximately 1/4" until it stops.

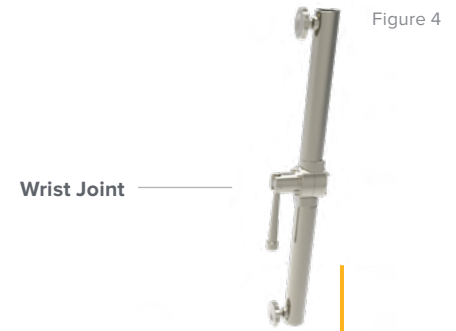


Figure 4

5 Rotate the Wrist Joint subassembly 180 degrees and slide it down the tube. Lock the height with the Rosette Knob (Figure 5).

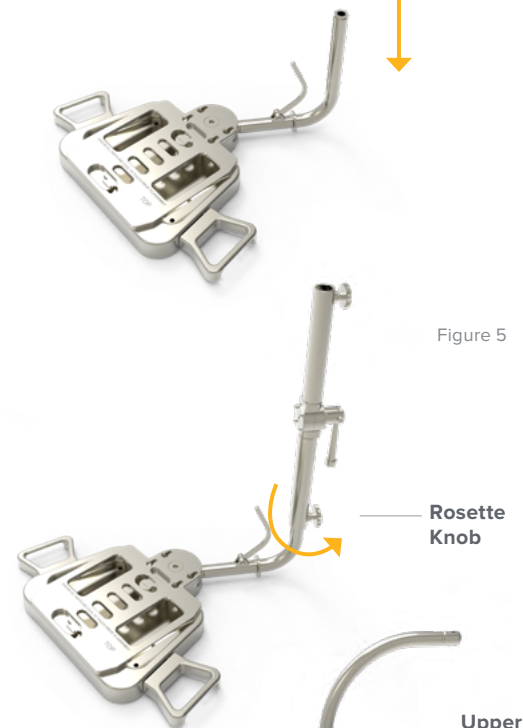


Figure 5

6 The Upper Arc is assembled to the Wrist Joint in the same manner as in Step 4. However, in this step, the Upper Arc will be pointing away from the device (Figure 6).

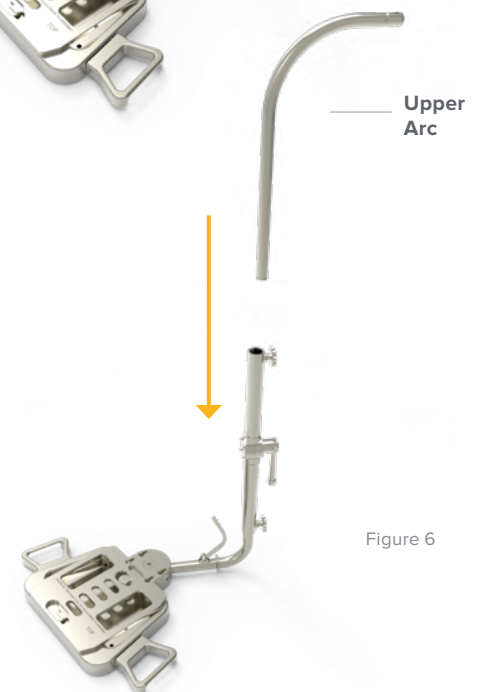
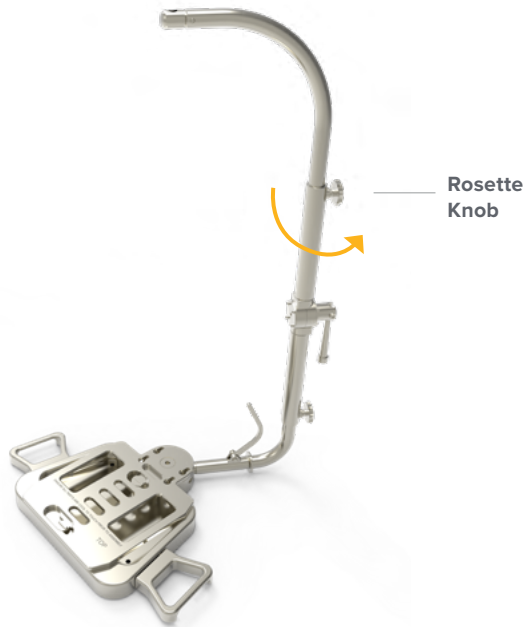


Figure 6

Arc Wrist Tower Assembly Instructions [continued]

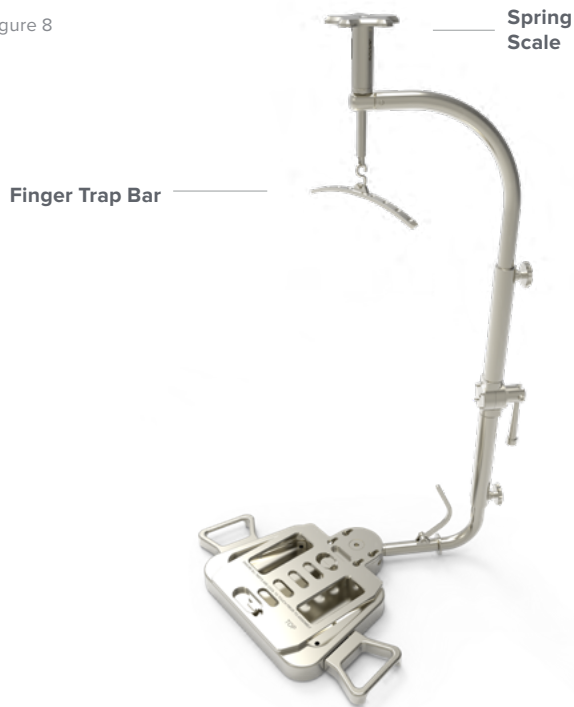
Make sure all parts of the Arc Wrist Tower are cool to touch prior to assembly.

Figure 7



7 As in Step 5, rotate the Upper Arc 180 degrees into the correct orientation, slide it down, and lock the height with the Rosette Knob (Figure 7).

Figure 8



8 Screw the Spring Scale through the threaded hole on the Upper Arc until it bottoms out (Figure 8). This will allow a maximum range of distraction. Hook the Finger Trap Bar onto the bottom of the Spring Scale.

Arc Wrist Tower Assembly Instructions [continued]

Make sure all parts of the Arc Wrist Tower are cool to touch prior to assembly.

- 9** The Base Plate should be evaluated for residual heat if it has been recently sterilized.

Prior to positioning the patient's arm in the tower, place a towel or pad on the Base. Place the patient's arm on the Wrist Tower. Strap the arm at the elbow to the Upper Arm Plate using the long (36") disposable Arm Strap (Figure 9). The Arm Strap for holding the arm to the Base Plate goes through the base and not around the table. Secure the strap as close to the elbow as possible to minimize lift of the elbow during traction.

Note: If needed, sterile saline may be used to cool the device. The upper arm strap will go over the sterile tourniquet.

Figure 9



- 10** The Sliding Forearm Support (Figure 10) is connected to the Base Plate on the ulnar side of the forearm. A towel placed between the Sliding Forearm Support and the patient's forearm helps cushion the skin (Figure 11).

Raise the support to the desired position. Use the short (24") Arm Strap to secure the forearm to the Sliding Forearm Support.

Figure 10



Figure 11

Arc Wrist Tower Assembly Instructions [continued]

Make sure all parts of the Arc Wrist Tower are cool to touch prior to assembly.

Figure 12



11 Position the Wrist Joint to line up with the patient's wrist by adjusting the lower Rosette Knob. Place the desired Finger Traps on the patient and lock the Ball Chains into the Finger Trap Bar (Figure 12).

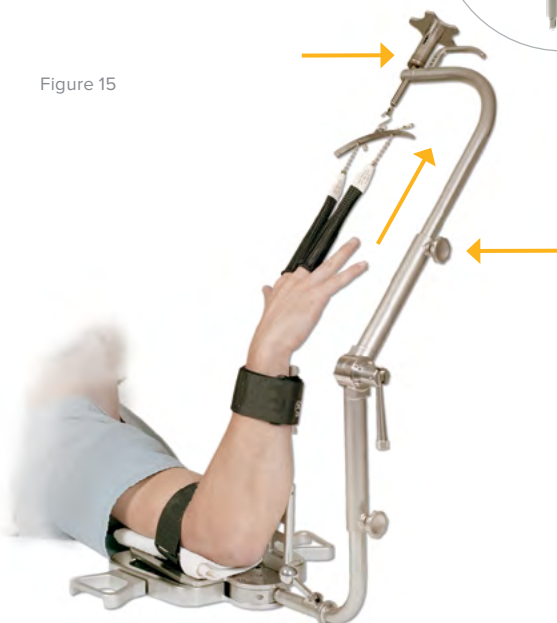
Figure 14



12 Once the wrist joint is lined up and finger traps are on the patient, lengthen the upper arc by adjusting the upper Rosette Knob (Figure 14). Use the Spring Scale to make fine adjustments.

Note: The amount of traction applied is indicated by the bottom edge of the disk within the Spring Scale (Figure 15).

Figure 15

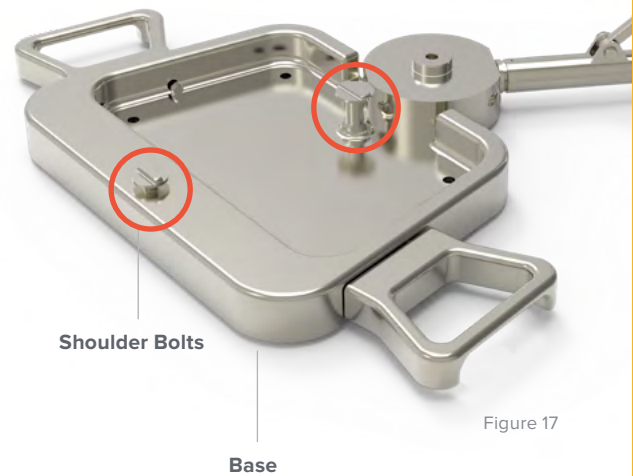
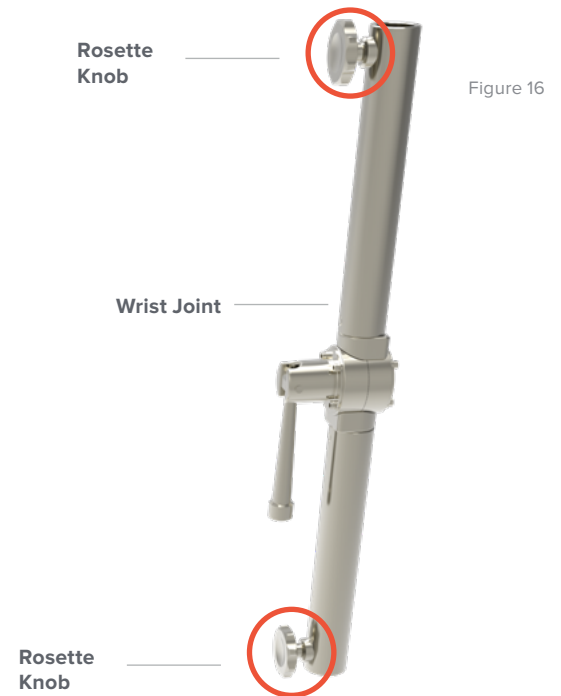


Arc Wrist Tower Disassembly Instructions

Some components on the Arc Wrist Traction Tower are not intended to be taken apart at the end of a case. These small subcomponents can become lost during sterile processing.

Caution: Do not remove either of the Rosette Knobs (Figure 16) on the Wrist Joint section, as they are retained from the inside by "E-clips." The two Shoulder Bolts (Figure 17) on the base are also not intended to be removed.

Note: Per the Instructions for Use, once finger traps and arm straps have come in contact with a patient, they must be discarded.

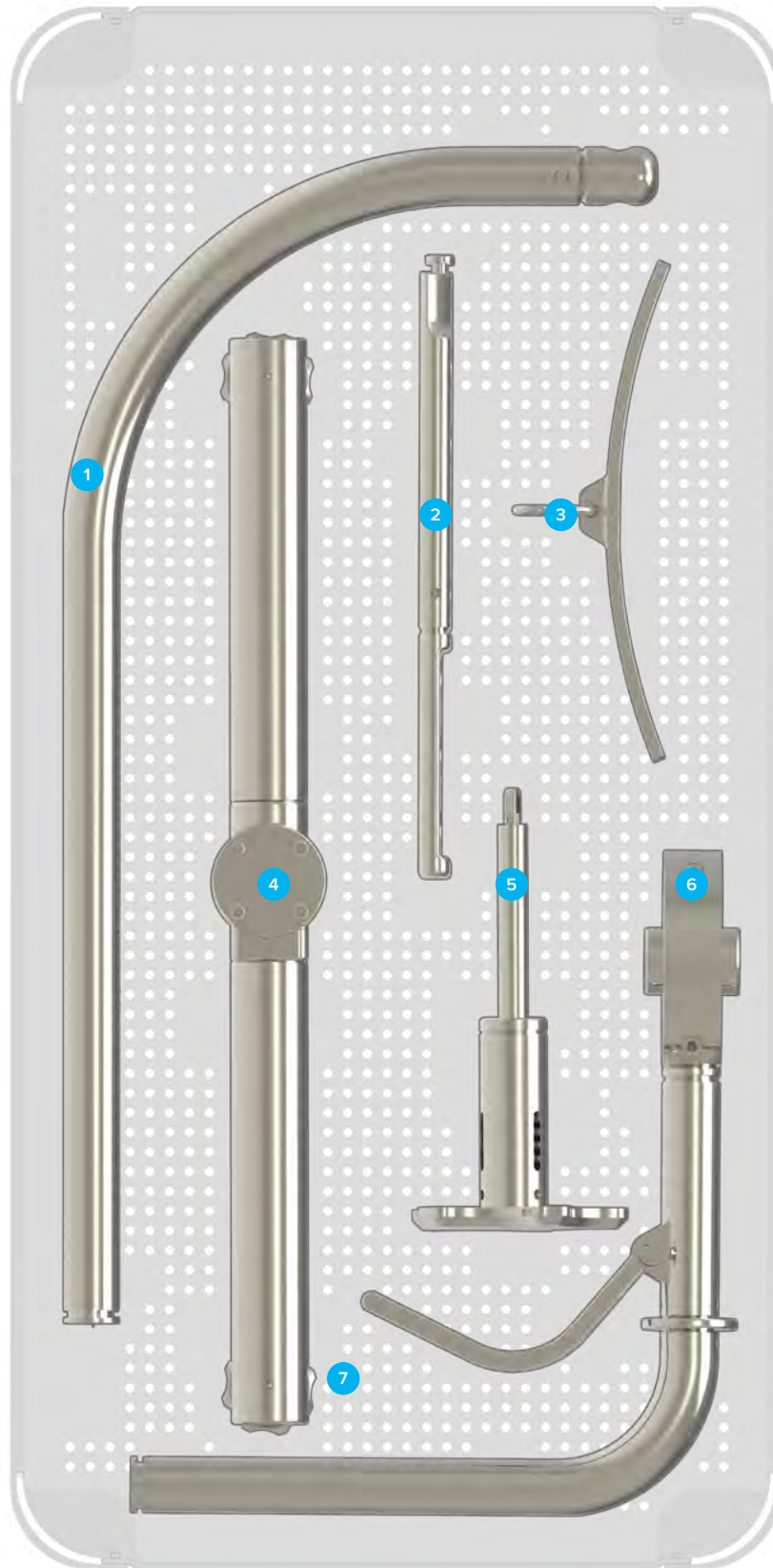


Ordering Information

Tray Components

Arc Wrist Tower Component Pieces

1	Upper Arc	10100015	5	Tower Spring Scale	10100016
2	Tower Sliding Forearm Support	10100019	6	Tower Pivot Joint (subassembly)	10100013
3	Tower Finger Trap Bar	10100017	7	Tower Wrist Joint Locking Rosette Knob	10150143
4	Tower Wrist Joint (subassembly)	10100014			

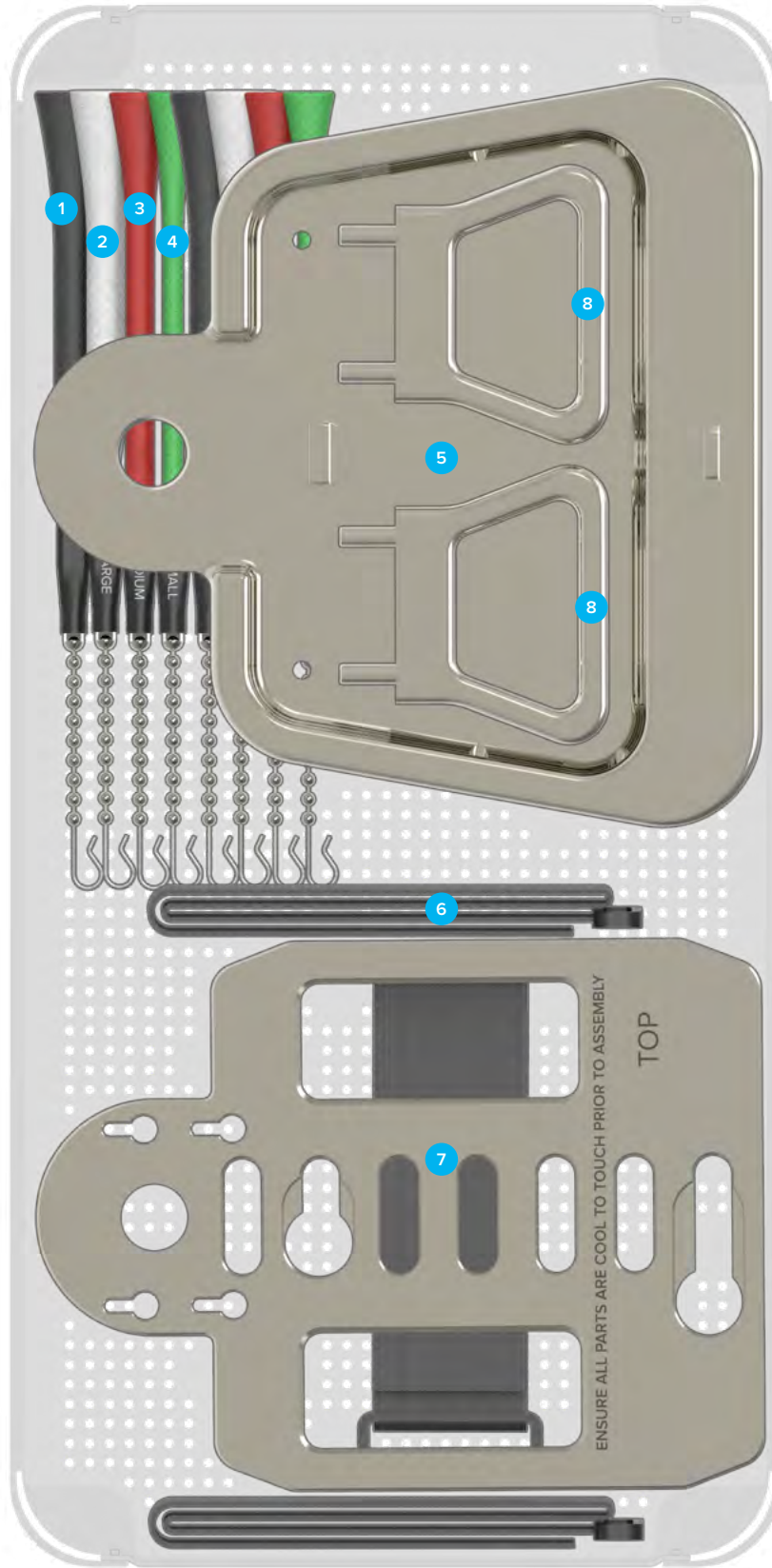


Ordering Information [continued]

Tray Components			
Arc Wrist Tower Component Pieces			
1	Finger Trap, X-Large (2 ea.)	10170054	
2	Finger Trap, Large (2 ea.)	10170053	
3	Finger Trap, Medium (2 ea.)	10170052	
4	Finger Trap, Small (2 ea.)	10170051	
5	Tower Base	10100010	
6	Straps, 2 of 24", 1 of 36"	10170060	
			7 Tower Upper Arm Plate 10150102
Optional Pieces			
			8 Tower Base Handle 10100018

Arc Wrist Tower Components	
Arc Wrist Tower	
Arc Wrist Tower Case Base 1 of 2	80-4055
Tower Tray Lid - 1 of 2	10100004
Arc Wrist Tower Case Base 2 of 2	80-4056
Tower Tray Lid - 2 of 2	10100005
Arc Wrist Tower (includes 2 Trays, 1 set of Arm Straps, and 1 set of Sm, Med, Lg, and XL Finger Traps)	10100000
Rental Pieces*	
Tower Rental – Single Case	
(Includes use of Tower, 1 set of Finger Traps (all sizes) and 1 set of Arm Straps)	Rental Fee – S
Tower Rental – One Week	
(Includes use of Tower, 1 set of Finger Traps (all sizes) and 1 set of Arm Straps)	Rental Fee – W

To arrange rentals, call Acumed Business Services at 888-627-9957.





Acumed Headquarters
5885 NE Cornelius Pass Road
Hillsboro, OR 97124
Office: +1.888.627.9957
Office: +1.503.627.9957
Fax: +1.503.520.9618
www.acumed.net

These materials contain information about products that may or may not be available in any particular country or may be available under different trademarks in different countries. The products may be approved or cleared by governmental regulatory organizations for sale or use with different indications or restrictions in different countries. Products may not be approved for use in all countries. Nothing contained in these materials should be construed as a promotion or solicitation for any product or for the use of any product in a particular way that is not authorized under the laws and regulations of the country where the reader is located. Nothing in these materials should be construed as a representation or warranty as to the efficacy or quality of any product, nor the appropriateness of any product to treat any specific condition. Physicians may direct questions about the availability and use of the products described in these materials to their authorized Acumed distributor. Specific questions patients may have about the use of the products described in these materials or the appropriateness for their own conditions should be directed to their own physician.

HNW00-00-D | Effective: 2021/11 | © 2021 Acumed® LLC