

**+ acumed®**  
Fibula Nail 2  
with Tip-Loc™ Technology

## Product Overview

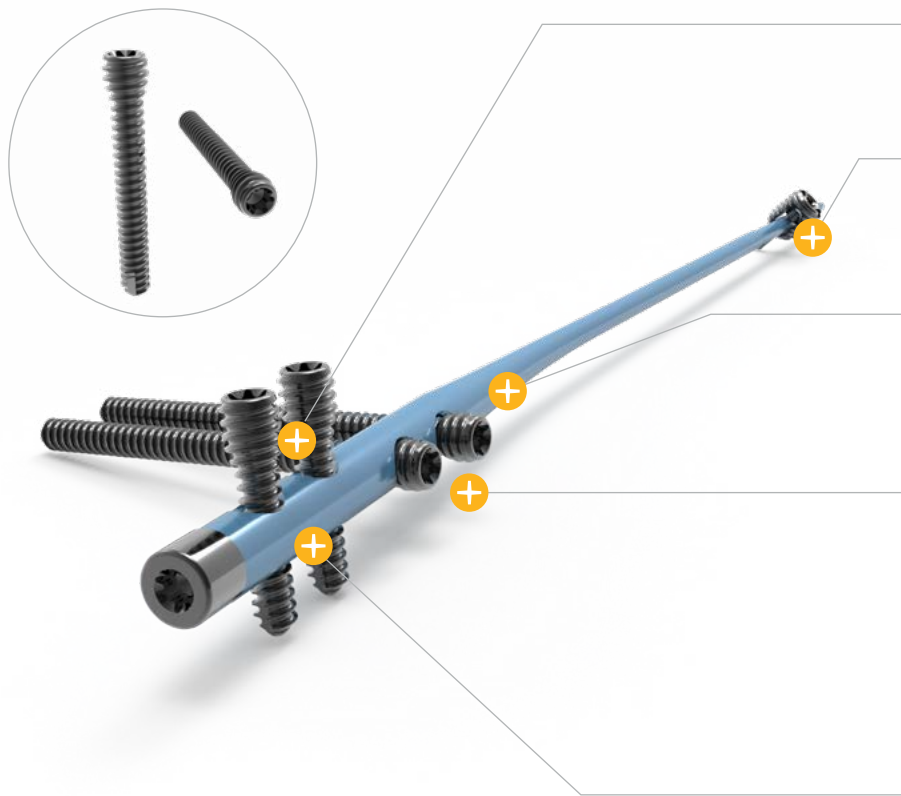




## Acumed® Fibula Nail 2

Designed in conjunction with Roy Sanders, MD, the Acumed Fibula Nail 2 is designed to address simple, transverse, and short oblique fractures as well as osteotomies of the fibula. The system includes three nail diameters and four length options, power reamers and carbon fiber radiolucent targeting guides to streamline the procedure, threaded holes within the nail, headless hexalobe screws to help minimize soft-tissue irritation, and the option to lock the nail proximally, providing additional fixation within the canal.

The Fibula Nail 2 must be used in conjunction with the Acumed Fibula and Forearm Nail 2 Base Set, which contains universal instrumentation to implant the Fibula Nail 2, Ulna Nail 2, and screws.



### Low-Profile Screws

3.5 mm headless hexalobe screws are low-profile and are intended to minimize soft-tissue irritation

### Optional Proximal Fixation

The Tip-Loc™ Bushing and Set Screw offer the option to lock the nail proximally, providing additional fixation within the canal

### Nail Bend

The nail's 5 degree bend is designed to accommodate the shape of the intramedullary canal

### Two Lateral to Medial Screws

Both L/M screws are angled 8 degrees superior to the joint space, and the most proximal screw hole is threaded to create a locking construct to provide additional fixation when desired. Both screw trajectories can be used for syndesmotic fixation

### Fixed-Angle Screw Holes

Two threaded anterior to posterior fixed-angle screw holes

## Comprehensive System

The Acumed Fibula Nail 2 includes 12 nails offered in 3 diameters and 4 lengths, 3.5 mm headless and nonlocking hexalobe screws, and the option to lock the nail proximally.

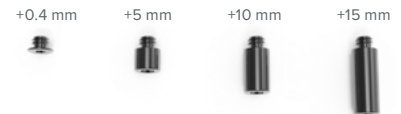


**Note:** All nail tail diameters are 6.35 mm

### Optional End Caps

End caps assist in limiting ossification over the end of the nail, making the nail threads easier to engage if removal is desired. End caps also allow for the creation of an intermediate nail length while adjusting for anatomic variances and screw trajectories.

#### End Caps





### Universal Instrumentation

The Fibula Nail 2 is delivered in sterile packaging and is designed to be used in conjunction with the Fibula and Forearm Nail 2 Base Set. This set includes shared instrumentation to implant the Fibula Nail 2, Ulna Nail 2, and screws

### Reamers

Reaming can be achieved under power to optimize operative time, or by hand if preferred

### Screw Options

The Fibula Nail 2 implants accept both 3.5 mm Headless Hexalobe Screws and 3.5 mm Nonlocking Hexalobe Screws. Headless screws lock into the threaded holes within the nail and are intended to create a low-profile construct aimed at minimizing soft-tissue irritation

### Optional Proximal Fixation

The Tip-Loc™ Bushing and Set Screw offer the option to lock the nail proximally, providing additional fixation within the canal

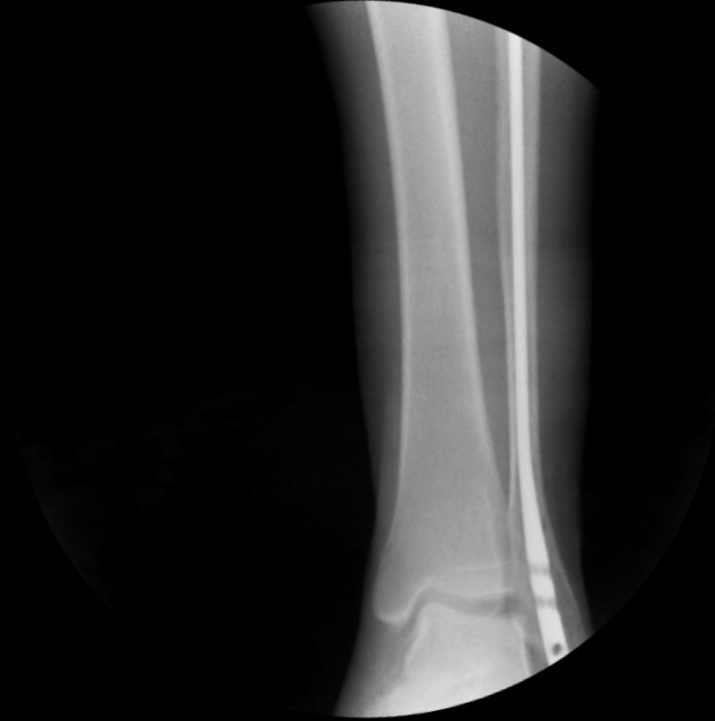


6.5 mm drill used through a small incision to create entry for the fibula nail



**Incision and  
Entry Point**

Short (110 mm) nail to address simple fractures in the distal third of the fibula



5° bend in the nail accommodates the shape of the intramedullary canal



Multiple threaded screw hole options

**Fibula Nail 2  
Surgical  
Technique**

**Preparation and  
Positioning**



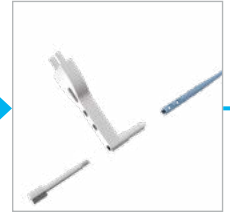
**Incision and Entry  
Point**



**Reaming and Nail  
Selection**



**Nail and Base Plate  
Assembly**

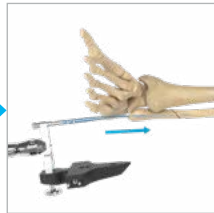




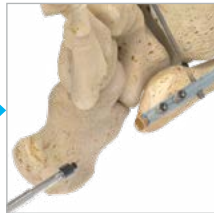
**Targeting Guide  
Assembly**



**Nail Insertion and  
Screw Drilling**



**End Cap Placement  
(optional)**



**Closure and  
Postoperative Care**







**Our mission** is to aid the afflicted through the ingenuity of our minds, the labor of our hands, and the compassion of our hearts.



Acumed Headquarters  
5885 NE Cornelius Pass Road  
Hillsboro, OR 97124

Office: +1.888.627.9957  
Office: +1.503.627.9957  
Fax: +1.503.520.9618  
[www.acumed.net](http://www.acumed.net)

**FNA00-04-B** | Effective: 2020/10 | © 2020 Acumed® LLC

These materials contain information about products that may or may not be available in any particular country or may be available under different trademarks in different countries. The products may be approved or cleared by governmental regulatory organizations for sale or use with different indications or restrictions in different countries. Products may not be approved for use in all countries. Nothing contained on these materials should be construed as a promotion or solicitation for any product or for the use of any product in a particular way which is not authorized under the laws and regulations of the country where the reader is located. Specific questions physicians may have about the availability and use of the products described on these materials should be directed to their particular authorized Acumed distributor. Specific questions patients may have about the use of the products described in these materials or the appropriateness for their own conditions should be directed to their own physician.

Acumed®, and Tip-Loc™ are registered trademarks of Acumed LLC